

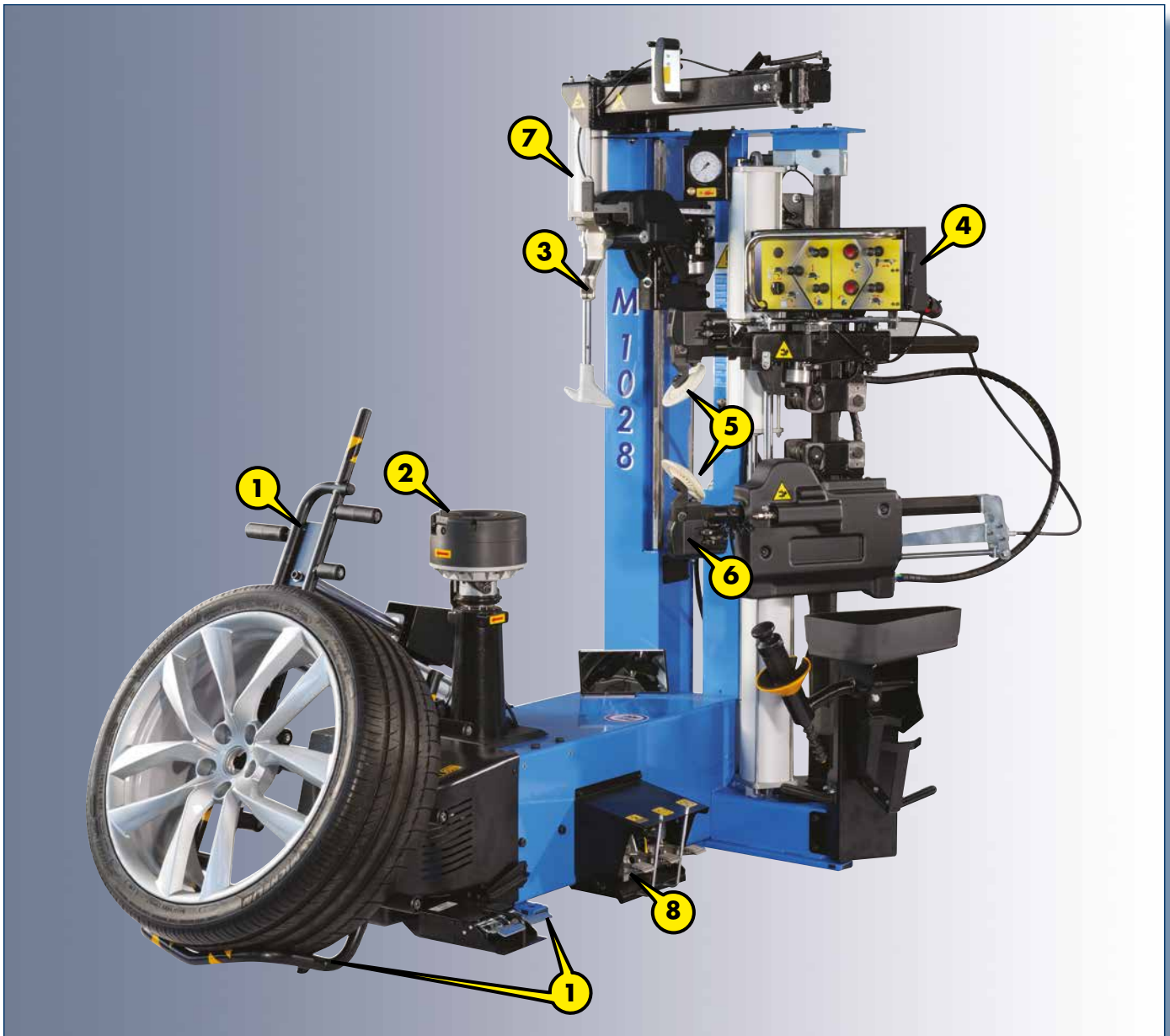
Super Automatic tyre changer

LEVER-LESS & Contact-Less
Technologies



Innovative super automatic tyre changer for all wheels from 13" to 28"

M 1028 Series



Technical features

- ❑ **M 1028** is a new automatic tyre changer featuring the 'Without Lever' technology for car, SUV and commercial vehicle wheels of up to 28".
- ❑ Tyre mounting and demounting tool based on the operation technology of **M 1032**, whereby the rim is never touched and stress on the tyre bead is reduced.
- ❑ Tool with manual rotation to **speed up work operations**.
- ❑ Technical features: wheel lifter for uplifting for moving the wheel from the ground to working position and vice versa, the bead breaking performed with **two specular bead breaker** discs with controlled penetration control, automatic wheel clamping with effective, fast and simple pneumatic system. Multifunctional control panel providing high comfort and convenience of use, combined with effective performance.
- ❑ All this allows for **higher operational speed** with no risk at all for the operator and the rims/tires - even when performing the hardest tasks. Increased ease of use and greater flexibility **with all types of wheels** are also among the key benefits of the system. This is why the equipment can be effectively used to the maximum of its working potential.

Functional features

1. Zero effort wheel lifter

- ❑ Front lifter with **full upwards** and **downwards** movement.
- ❑ It allows the operator to move the wheel on the tyre changer **without effort** and without changing working position.



2. Automatic - Pneumatic Clamping System

New wheel-clamping system for quick operation and flexible with all wheel types.

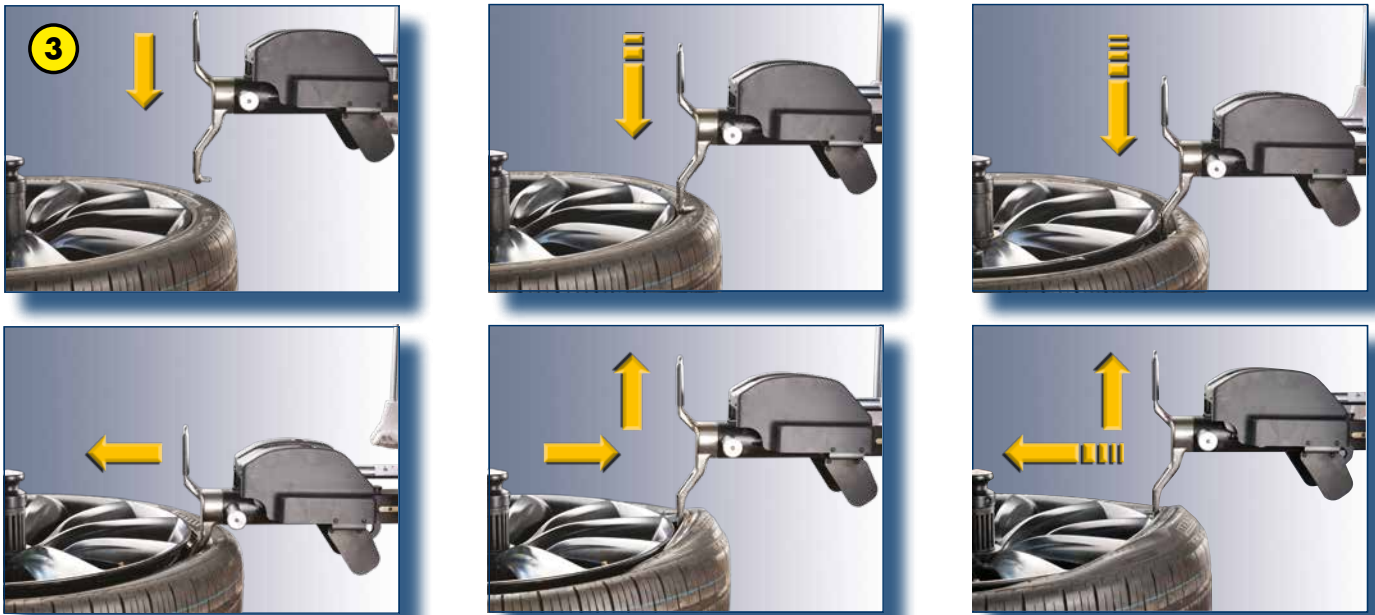
- ❑ The pedal - when pressed - releases the clamping system turntable centring handle.
- ❑ In the rest position, the clamping system on the turntable centring handle is normally active.
- ❑ The pedal is used over the wheel preparation and turntable clamping phase, as well as to release the wheel once the operation has been completed.



Working procedures

3. NEW MOUNTING AND DEMOUNTING TOOL

- ❑ The radial positioning of this **innovative tool** is carried out by using the controls on the panel.
- ❑ Tool with manual rotation to speed up work operations. By performing the rotation, the tool will remain automatically in the correct radial position over the two phases. The part used for disassembling is equipped with a patented spring system to facilitate the entry of the bead breaker disc between rim without any risk for the tyre itself.

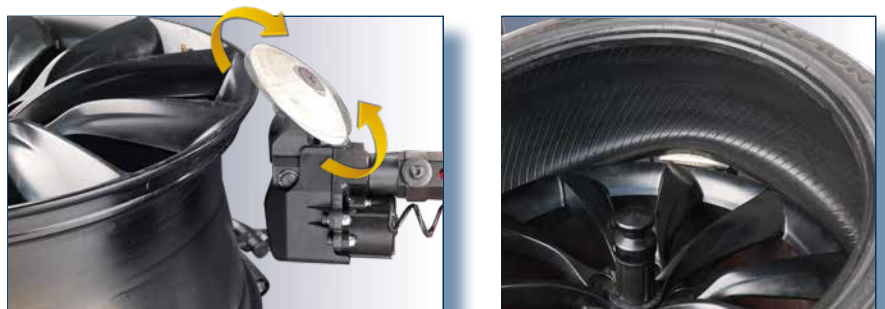


MANUAL ROTATION OF THE TOOL ALLOWS THE OPERATOR TO SWITCH QUICKLY AND EASILY FROM DEMOUNTING TO MOUNTING MODE



LOWER BEAD DEMOUNT OPERATION WITH THE ASSISTANCE OF THE LOWER BEAD BREAKER DISC

- ❑ Quick demounting procedure with bead breaker disc.
- ❑ **Quick procedure** for demounting the lower bead - highly recommended for hard sides.



Functional features

4. Control panel

- ❑ Complete and intuitive
- ❑ Multifunctional control panel

5. Bead breaking unit

- ❑ **Dynamic bead breaking device with dual specular bead breaker disc.** The radial positioning of the discs is made easier through an automation device preventing the operator from wrong manual positioning.
- ❑ **Controlled penetration (Patent Pending):** precision, speed and repeatability are guaranteed by the patented bead-breaking system and the perfect specularity of the two discs.
- ❑ **Ideal for dynamic bead breaking** as it helps to get the correct rim and tyre match -mounting whereby the two dual-control discs.



**DRIVE WITH AN INVERTER MOTOR SYSTEM:
ON THE ROTATION PHASE THE RIGHT TORQUE AT THE RIGHT SPEED**

Functional features



6. "Emergency hook"

- The mounting operation is easy and very quick.
- It is possible to press downwards with the tool holder arm while moving the turntable at the same time.
- If the tyre is soft or with a wide shoulder, a reclining tool can also be used as long as it is positioned on the lower bead breaking disc.



- The mounting phase of the second bead is completed by **using the bead breaker disc** and the turntable rotation at the same time, while in case of either low-profile tyres or RFT tyres, a bead pressing tool shall be used to ensure that the tyre remains on the rim channel.



- For more awkward tyres it is always important to lubricate - as with all wheel types - and use the bead pressing tool.
- On the last phase, **make sure you slightly raise the position** of the disc and the bead pressing tool to reduce tension and facilitate assembly.

7. Bead pressing tool - no more trouble with run-flat tyres!

- Bead pressing tool with adjustable working height
- Depressor shape ideal for RFT tyres
- Standard supplied in all versions**
- Return to working position is made easier with a spring system



Outfit



Super Automatic tyre changer changer for all wheels from 13" to 28"

M1028 Series

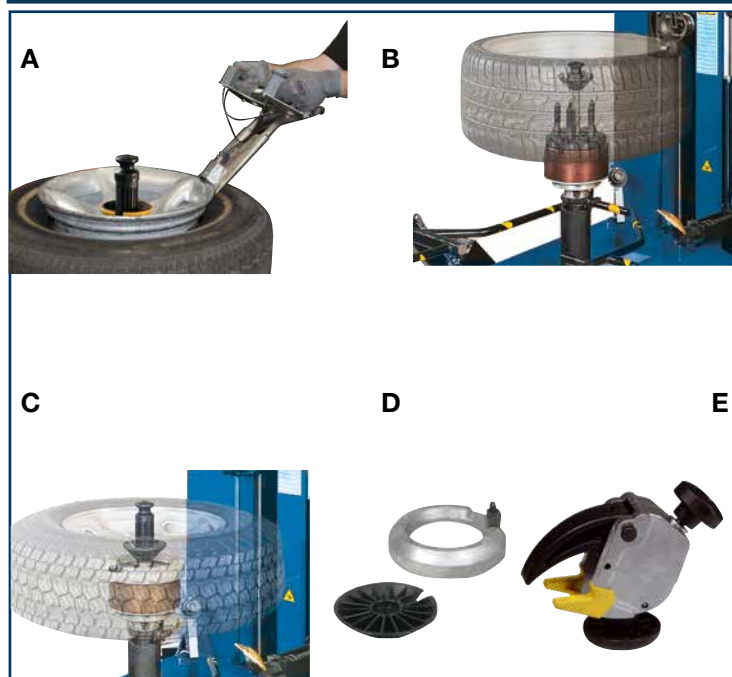
Comfort and convenience

Ergonomics

- Working height of the machine designed to obtain **perfect ergonomics in movements** with all types of wheels. Ideal for all operators!



Recommended accessories



A. 8-11120053

Kit TI - Rapid inflation system

A. 8-11120054

Kit FS - ASME Rapid inflation system (USA & CANADA)

B. 8-11100039

Flange for reverse rim wheels

C. 8-11100038

Universal flange for closed rims

D. 8-11100037

Pick-up rim kit

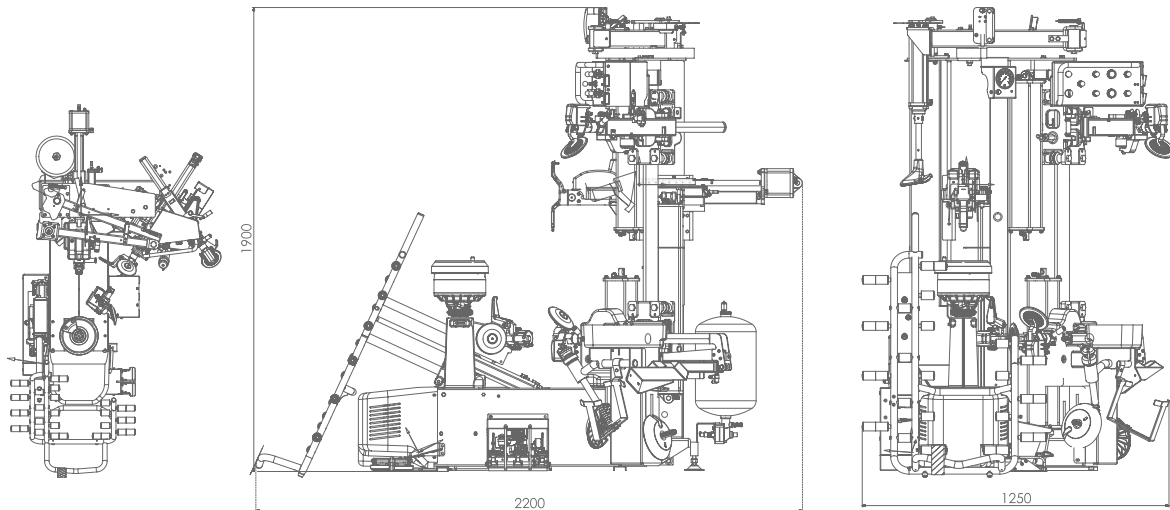
E. 8-11100120

Sliding bead pressing clamp

Technical data

wheel size range	
rim diameter	from 13" to 28"
maximum tyre diameter	1200 mm (47")
maximum tyre width	15" (from the wheel bearing plane)
tyre types processed	conventional, low-profile, Run Flat
turntable	
clamping	automatic - pneumatic
drive system	2-speed inverter motor
rotation torque	1100 Nm
rotation speed	7-18 rpm
bead breaker	
maximum bead breaking range	670 mm
bead-breaker stroke	540 mm
bead-breaker force	7600 N
wheel loading/unloading	
operation	pneumatic
max wheel weight	85 kg
power supply	
electric 1Ph	230V-0.98 kW 50Hz/60 Hz
electric 1Ph (alternative)	110V-0.98 kW 50Hz/60 Hz
pneumatic operating pressure	8 bar (minimum)
weight	425 kg (with bead pressing tool and lifter)

Dimensions



For further information, consult the complete accessories catalogue.

The illustrations, configurations and technical features in this publication are intended to present the product only, and are subject to variation. To ensure correct ordering, always refer to the current price list.

